

PRODUCT INFORMATION

Duropal worktop accessories – stock range D/A/CH 2025-2028



Duropal worktops can be used wherever the highest standards of durability and longevity are required. Due to their hygienic advantages, the classic areas of application are modern kitchens and bathrooms, hobby rooms, canteens and restaurants as well as doctors' surgeries or laboratory and shop fitting, and also industrial and commercial workplaces.

The variety of decors means that Duropal worktops can be selected according to application and design requirements - from classic to modern.

To ensure that your worktop fits perfectly into the room, Pfleiderer, together with REHAU Industries SE & Co. KG, offers a matching range of accessories such as upstands, edge materials, HPL edging strips and back panels.

The expertise and customer-centred service make the difference. With its partner REHAU Industries SE & Co. KG, Pfleiderer can complement this optimally through its upstand and edge material products.

REHAU UPSTANDS (WAP)

WAP RAUWALON vario-line

Upstand range with identical decor to the Duropal worktops range directly through our partner, REHAU Industries SE & Co. KG; further information is available at:

Website: [REHAU Interior Solutions | Deutschland](https://www.rehau.com/de/interior-solutions)

Email: info@rehau.com

Hotline: +49 (0) 800 73 42 888

Direct handling through REHAU Industries SE & Co. KG by carrier or parcel service.

Properties / benefits

- watertight due to internal base seal – invisible but indispensable
- an upstand which is matched to the design of your worktop
- seamless transition from the worktop to the WAP due to the invisible lower sealing lip – the WAP and worktop become one
- individual pattern repeat thanks to digital printing technology
- optimum decor portfolio due to printed PP film
- the perfect optical finish in next to no time – you can install RAUWALON vario-line faster than silicone joints
- small, discreet mouldings

Format

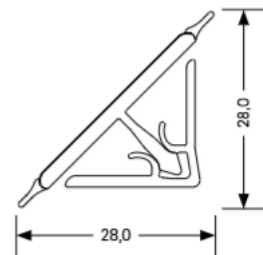
- 4,200 x 31 x 16 mm

Decors matching the worktop range

- Decors according to colour recommendation overview

Neutral colours – for universal use

- Magic aluminium look
- Stainless steel look



Minimum quantities – Mix & Match

- 10 lengths per decor in one box = 42 m, available immediately from standard stock

WAP RAUWALON vario-line MOULDINGS

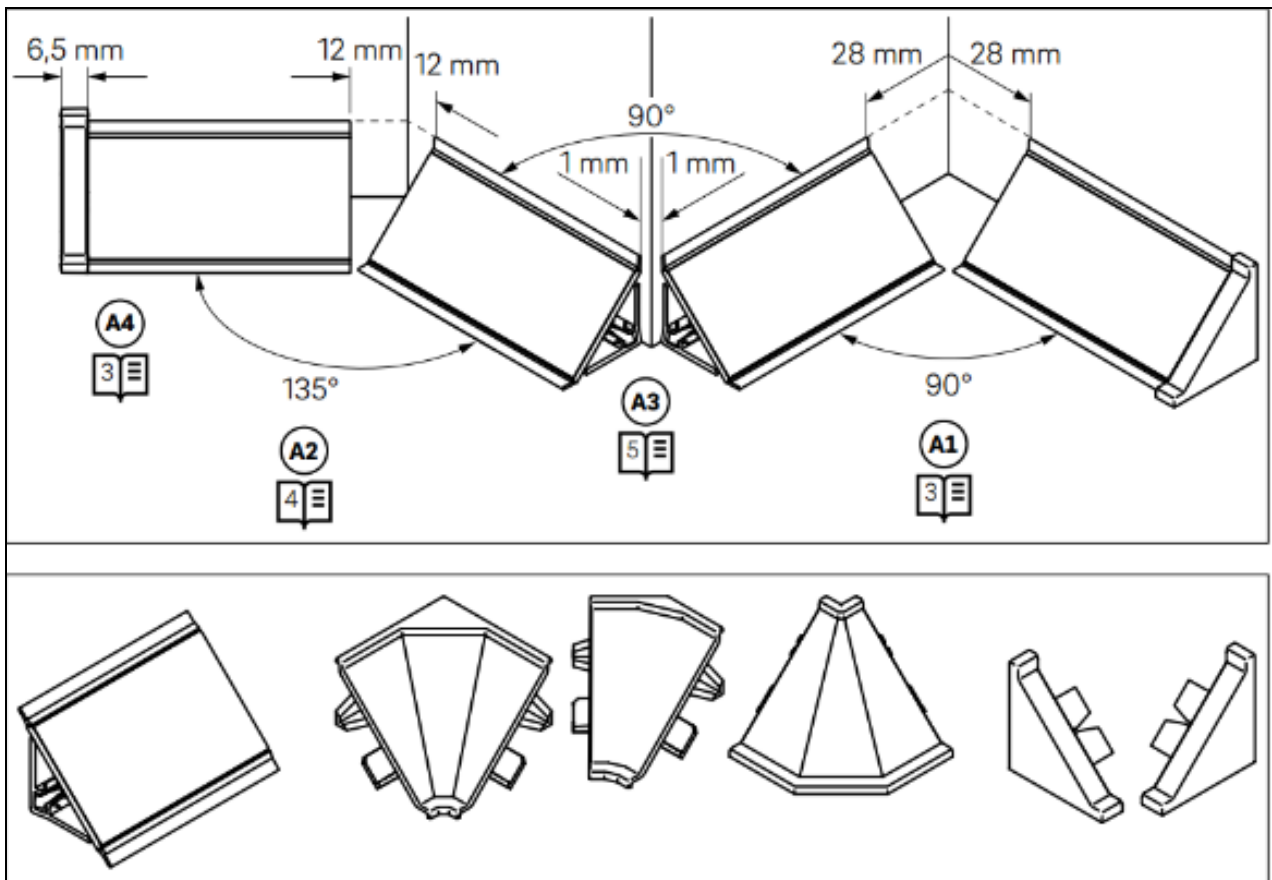
The colours of the moulded parts are adapted to the base colours from the decor range.

Minimum quantities from standard warehouse

- 10 x moulding bags per colour in a box
- Contents per bag:
2 x end caps, 2 x 90° inside corners, 1 x 135° inside corner, 1 x 90° outside corner



RAUWALON vario-line installation instructions



RAUWALON vario-line installation video: <https://youtu.be/M0erKnTyMKw>

WAP RAUWALON vario-line COLOUR RECOMMENDATION

Decor Pfleiderer	Texture Pfleiderer	Decor name Pfleiderer	Worktop profile	Decor REHAU
F73009	BR	Quartz Stone	PerForm	on request
F76001	CA	Loftec	Quadra	1381U
F76006	VV	Tempered Steel	Quadra	4723E
F76016	VO	Flash black	Quadra	1455E
F76026	CR	Ceramic Rust	Quadra	1110U
F76028	FG	Rabac	Quadra	2700E
F76044	CA	Bellato grey	Quadra	3503E
F76044	XMSM	Bellato grey	PerForm	3503E
F76146	XMSM	Terrazzo Bronze	Quadra	4130E
F79028	SD	Bronze Piquée	Quadra	1435U
F79934	CR	Ferro Black	Quadra	4244W
R20021	NW	Lindberg Oak	Quadra	on request
R20027	RT	Pale Lancelot Oak	Quadra	449U
R20038	NW	Natural Chalet Oak	Quadra	on request
R20039	RT	Grey Sonoma Oak	PerForm, Quadra	2600E
R20074	RT	Bordeaux Oak Light	Quadra	on request
R20128	RT	Light Sonoma Oak	Quadra	433U
R20315	NW	Artisan Oak	Quadra	4722E
R20348	NW	Oiled Oak	Quadra	1741U
R20383	NW	Pure Oak	Quadra	1117U
R20391	NW	Nutmeg Bijoux Oak	Quadra	on request
R27001	VV	Royal Maple	Quadra	576U
R30023	VV	Block Walnut	Quadra	352U
R30135	NW	Okapi Walnut	Quadra	1366U
R37016	RR	Salisbury Elm Natural	Quadra	on request
S60011	FG	Smooth Concrete Graphite	Quadra	3907E
S60019	CR	Crick	Quadra	3822E
S61011	VO	White Ipanema	Quadra	1509U
S63009	SD	Carrara Marble	Quadra	1435U
S63009	XMSM	Carrara Marble	PerForm, Quadra	1435U
S63013	MS	Trasimeno basalt	PerForm	4201E
S63013	XMSM	Trasimeno basalt	Quadra	4201E
S63014	XMSM	Roma Marble	Quadra	2411E
S63021	XMSM	Breccia Paradiso	PerForm	4200E
S63028	XMSM	Nero Portoro	PerForm, Quadra	4048E
S63044	XMSM	Caviar Black	Quadra	4250W
S63045	SD	India White	PerForm	566U
S63063	XMSM	Botticino	Quadra	on request
S63069	CA	Cracked Marble Plaster	PerForm	2315U
S63069	SD	Cracked Marble Plaster	Quadra	2315U
S63070	SD	Marmor Lugano	Quadra	on request
S63074	PT	Titian	PerForm	on request
S63075	MS	Romeo	PerForm	on request
S64011	PT	Deep Slate	Quadra	1825U
S64012	PT	Tibet	Quadra	2314U
S68013	VO	Black Limestone	Quadra	2680

Decor Pfleiderer	Texture Pfleiderer	Decor name Pfleiderer	Worktop profile	Decor REHAU
S68035	BR	Quartz Grey	PerForm	on request
S68036	XMSM	Centio	Quadra	4152W
S68048	FG	Abruzzo Colore	Quadra	1579U
S68056	VO	Jupiter Sand	Quadra	on request
S68057	VO	Jupiter Moon	Quadra	on request
U11026	SD	Crystal White	Quadra	on request
U11027	XMSM	Icy White	Quadra	on request
U11102	XMSM	Chalk	Quadra	78997
U12000	XMSM	Volcanic Black	Quadra	140339
U12187	SD	Light Grey	Quadra	71506
U12290	SD	Anthracite Grey	Quadra	140358
U18043	XMSM	Poseidon	Quadra	141720
U19027	XMSM	Herb	Quadra	141721

Duropal Worktop stock collection DACH:

[Decor finder: Quick decor selection | Pfleiderer](#)

REHAU EDGE MATERIALS

RAUKANTEX EDGE FAMILY

Matching edgeband material to the Duropal worktop range available directly through our partner, REHAU Industries SE & Co. KG; for further information please see:

Website: [REHAU Interior Solutions | Deutschland](#)

Email: info@rehau.com

Hotline: +49 (0) 800 73 42 888

Direct handling through REHAU Industries SE & Co. KG by carrier or parcel service.

Properties / Benefits

Whatever your requirements - our edging partner REHAU Industries SE & Co. KG offers the perfect solution for every requirement in terms of design, function and processing with its RAUKANTEX edging range - always identical in decor to your Duropal worktop.

From simple carcass processing with classic primer edgeband – RAUKANTEX pure – or the zero joint entry level edgeband with 100% adhesive-free application - RAUKANTEX plus – the new TPU-based generation – through to the high-quality seamless joint front finish with the pure polymer edgeband solution RAUKANTEX pro in tried and tested REHAU quality. Whatever your process, RAUKANTEX is the right edging in terms of quality and design.

DUROPAL HPL EDGING STRIPS

Properties / benefits

- ideal, identical decor & surface sealing of the worktop end face
- fulfils all properties (abrasion / impact and scratch resistance) of EN 438-3



Format

- 4,100 x 45 x 0.6 mm – rolled

Decors

- according to stock collection D/A/CH

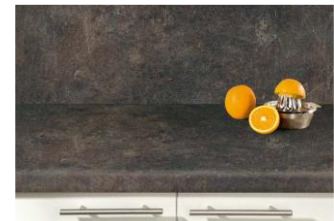


Minimum quantities

- Packed in a box
- 6 pieces per decor individually rolled = 1 box

BACK PANELS

As an interesting alternative to the familiar tiled backsplash, we offer back panels matching the worktop decor.



Properties / benefits

- protects the kitchen walls from water, fumes & grease splashes
- easy installation compared to tiled backsplash
- variable use is possible – from the classic matched colour through to a high-contrast design
- fulfils all properties (abrasion / impact and scratch resistance) of EN 438-3

Special features

- The front & reverse have different designs, therefore fewer stock variations

Format

- 4,100 x 600 x 9.2 mm (ClassicBoard P2 / Duropal HPL)
 - Decor-Texture-Combinations analogous to the worktop profile Quadra
- 4.100 x 640 x 9,2 mm (StyleBoard MDF deep routing / Duropal HPL)
 - Decor-Texture-Combinations analogous to the worktop profile PerForm

Profile

- square cut

Film covering

- XMSM surface versions have a protective film cover

Minimum quantities

- From 1 piece each from stock

Back panels overview – Worktop profile Quadra

Decor front side	Texture front side	Decor reverse side	Texture reverse side
F76001	CA	S68013	VO
F76006	VV	F79028	SD
F76016	VO	F76028	FG
F76026	CR	F76044	CA
F79934	CR	S63009	SD
R20021	NW	R37016	RR
R20027	RT	R20128	RT
R20038	NW	R30135	NW
R20039	RT	R20074	RT
R20315	NW	R20391	NW
R20348	NW	R20383	NW
R27001	VV	R30023	VV
S60011	FG	S68048	FG
S60019	CR	S61011	VO
S63009	XMSM	F76146	XMSM
S63013	XMSM	S63063	XMSM
S63014	XMSM	S68036	XMSM
S63028	XMSM	S63044	XMSM
S63069	SD	S63070	SD
S64011	PT	S64012	PT
S68056	VO	S68057	VO
U11026	SD	U11026	SD
U11027	XMSM	U11027	XMSM
U11102	XMSM	U11102	XMSM
U12000	XMSM	U12000	XMSM
U12187	SD	U12290	SD
U18043	XMSM	U19027	XMSM
F76001	CA	S68013	VO

Back panels overview – Worktop profile PerForm

Decor front side	Texture front side	Decor reverse side	Texture reverse side
F73009	BR	R20039	RT
S63021	XMSM	F76044	XMSM
S63009	XMSM	S63028	XMSM
S63069	CA	S63074	PT
S63075	MS	S63013	MS
S63045	SD	S68035	BR

PM HPL / Elements / Lacquered boards

© Copyright Pfleiderer Deutschland GmbH

This information has been compiled with the greatest care. Nevertheless we can assume no liability for the correctness, completeness and up-to-dateness of this information. Colour deviations caused by the printing technology are possible. In view of the ongoing further development and adaptation of our products, possible amendments to the relevant standards, laws and regulations, our technical data sheets and product documentation expressly do not constitute a legally binding assurance of the properties described there. In particular no guarantee of suitability for a concrete application can be derived. It is therefore the personal responsibility of the individual user in all cases to check the processing and suitability of the products described in this document for the intended application in advance, and to take into consideration the legal framework and the respective state-of-the-art. We furthermore expressly draw attention to the applicability of our General Terms and Conditions. You can find our general terms and conditions on our webpage: www.pfleiderer.com

03/2025